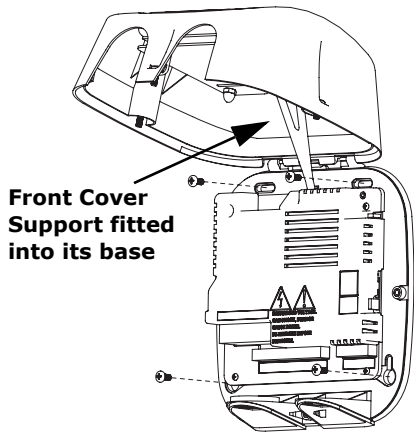


EM-3000 Series Meter Quickstart Guide

Code No. LIT-12011870

Issued July 21, 2014

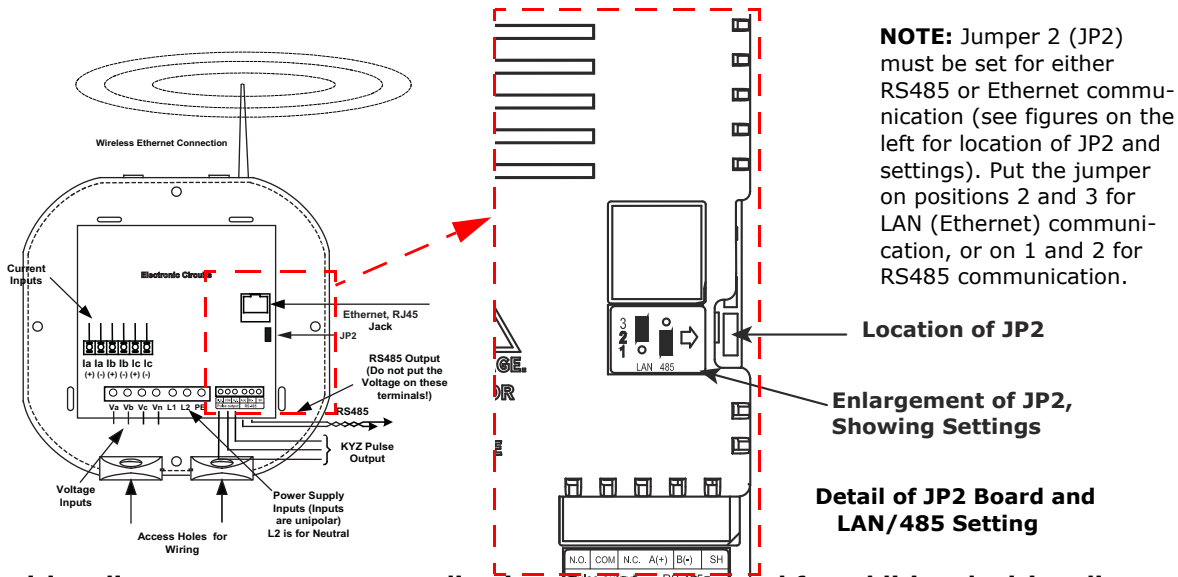


Front Cover Support fitted into its base



WARNING! During normal operation of the meter dangerous voltages flow through many parts of the meter, including Terminals and any connected CTs and PTs, all I/O modules and their circuits. All Primary and Secondary circuits can, at times, produce lethal voltages and currents. Avoid contact with any current-carrying surfaces. **Before performing ANY work on the EM-3000 Series meter, make sure the meter is powered down and ALL circuits are de-energized.** **AVERTISSEMENT!** Pendant le fonctionnement normal du compteur EM-3000 Series des tensions dangereuses suivent de nombreuses pièces, notamment, les bornes et tous les transformateurs de courant branchés, les transformateurs de tension, toutes les sorties, les entrées et leurs circuits. Tous les circuits secondaires et primaires peuvent parfois produire des tensions de léta et des courants. Évitez le contact avec les surfaces sous tensions. **Avant de faire un travail dans le compteur, assurez-vous d'éteindre l'alimentation et de mettre tous les circuits branchés hors tension.**

IMPORTANT! All wiring is done with the cover open, as shown above. The front cover support fits into its base. Make sure the support is up before closing the front cover.



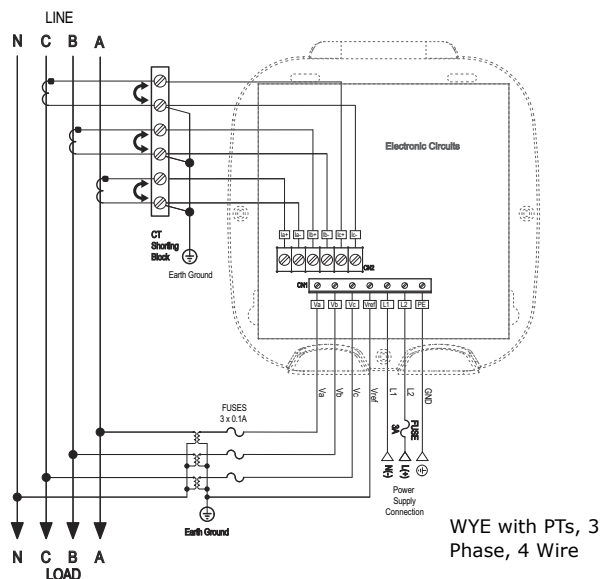
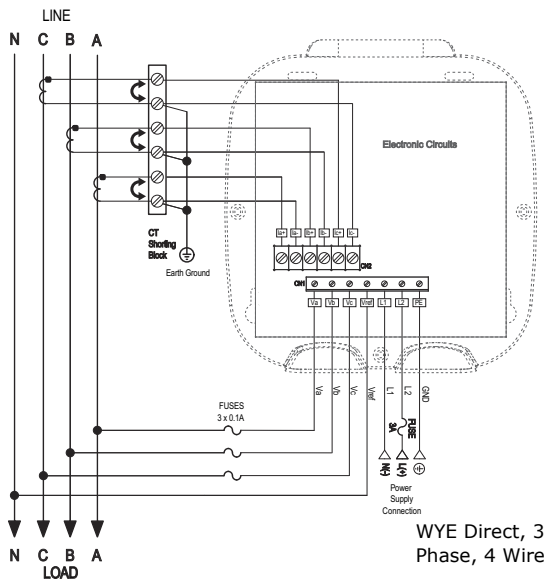
NOTE: Jumper 2 (JP2) must be set for either RS485 or Ethernet communication (see figures on the left for location of JP2 and settings). Put the jumper on positions 2 and 3 for LAN (Ethernet) communication, or on 1 and 2 for RS485 communication.

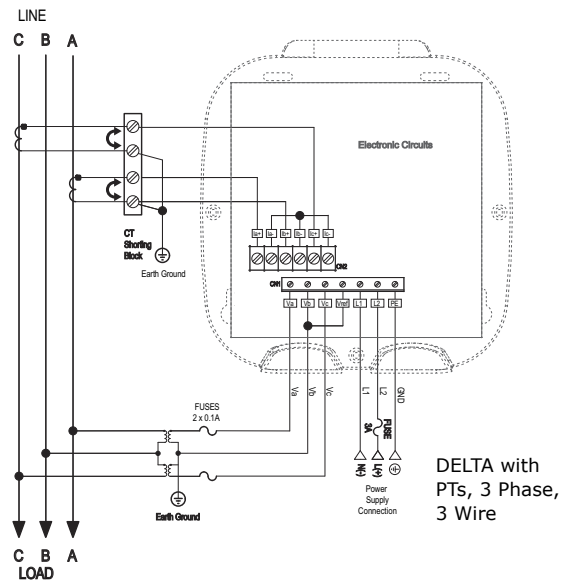
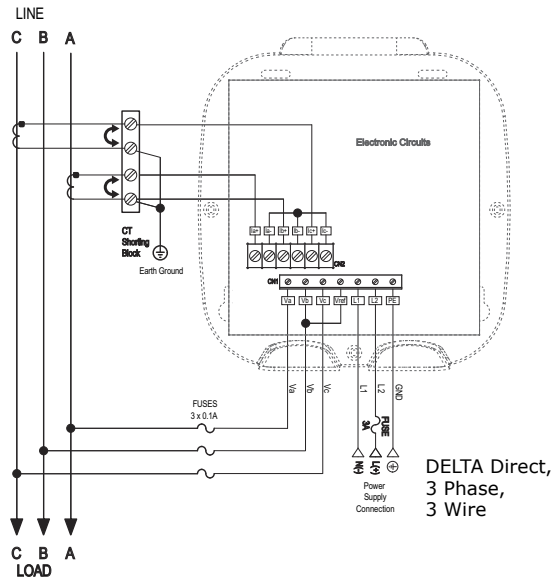
Location of JP2

Enlargement of JP2, Showing Settings

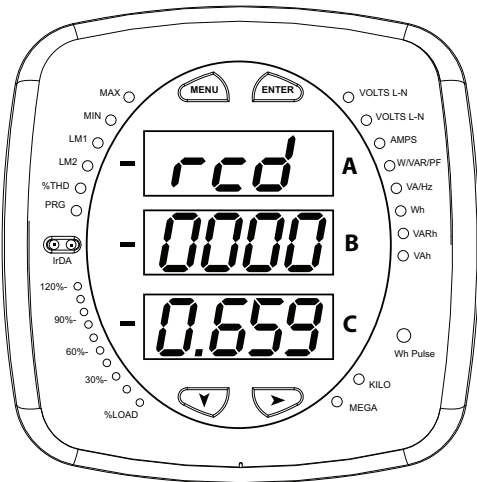
Detail of JP2 Board and LAN/485 Setting

Select wiring diagram to meet your application. See User Manual for additional wiring diagrams.



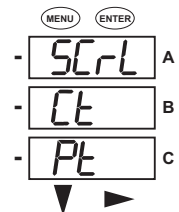
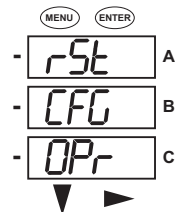


Program Settings Using the Faceplate Buttons: (MENU, ENTER, DOWN ARROW, RIGHT ARROW) See the figure below for the location of the faceplate buttons.

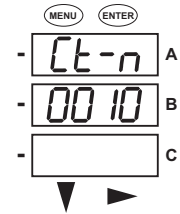


Access Configuration Mode:

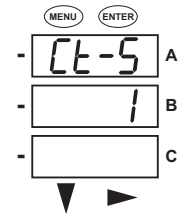
1. Push the **MENU** button - you will see the display on the right; rSt will be blinking.
2. Press the **DOWN ARROW** once. CFG (Configuration) moves to the top of the display.
3. Press the **ENTER** button. You will see the Configuration menu, shown on the right.



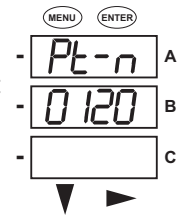
4. Press the **DOWN ARROW** and then press the **ENTER** button. You will see the CT numerator setting screen (Ct-n). The current CT numerator is shown in the second line. To change the setting, press the **DOWN ARROW** until the value you want is displayed. Then press the **RIGHT ARROW** to move to the next digit. Repeat until the setting is done.



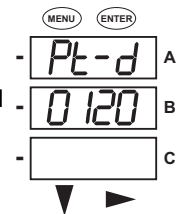
5. Press the **ENTER** button to go to the CT denominator screen (CT-d). This setting is display only - it can't be changed.



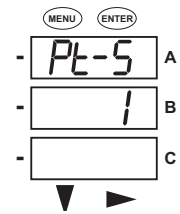
6. Press the **ENTER** button to go to the CT Scaling setting screen (CT-S). The current Scaling is shown in the second line. Press the **DOWN ARROW** to choose another value. You can choose 1, 10, or 100.



7. Press the **ENTER** button to go to the PT numerator setting screen (Pt-n). The current PT numerator is shown in the second line. To change the setting, press the **DOWN ARROW** until the value you want is displayed. Then press the **RIGHT ARROW** to move to the next digit. Repeat until the setting is done.



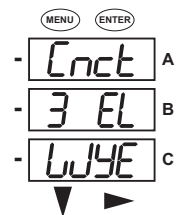
8. Press the **ENTER** button to go to the PT-denominator screen (Pt-d). The current PT denominator is shown in the second line. To change the setting, press the **DOWN ARROW** until the value you want is displayed. Then press the **RIGHT ARROW** to move to the next digit. Repeat until the setting is done.



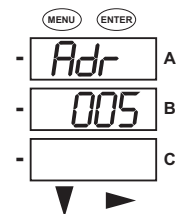
9. Press the **ENTER** button to go to the PT Scaling setting screen (PT-S). The current Scaling is shown in the second line. Press the **DOWN ARROW** to choose another value. You can choose 1, 10, 100, or 1000.

NOTE: See example CT and PT Settings on the next page.

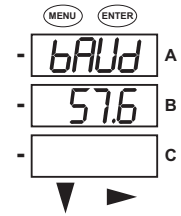
10. Press the **ENTER** button to go to the Connection setting screen (Cnct). The current setting is shown in the second line. Press the **DOWN ARROW** to choose another value. You can choose 3 EL (element) WYE, 2 Ct del (Delta), or 2.5 EL WYE.



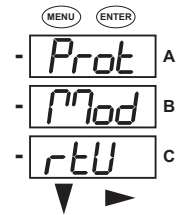
11. Press the **ENTER** button to go to the meter Address setting screen (Adr). The meter's current address is shown in the second line. To change the setting, press the **DOWN ARROW** until the value you want is displayed. Then press the **RIGHT ARROW** to move to the next digit. Repeat until the setting is done. Valid addresses are from 001 through 247. **If you are using the Ethernet option, do NOT change anything on this screen.**



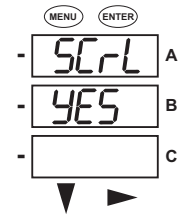
12. Press the **ENTER** button to go to the meter Baud Rate setting screen (bAUd). The meter's current Baud Rate is shown in the second line. Press the **DOWN ARROW** to choose another Baud Rate. You can choose 9600 (choose this for RS485 connection), 19.2 (19200), 38.4 (38400) or 57.6 (57600). **If you are using the Ethernet option, do NOT change anything on this screen.**



13. Press the **ENTER** button to go to the meter Protocol setting screen (Prot). The meter's current Protocol is shown in the second and third lines. Press the **DOWN ARROW** to choose another communication Protocol. You can choose Mod rtU (Modbus RTU; choose this for RS485 connection), Mod ASCII (Modbus ASCII), or dnp (DNP 3.0). **If you are using the Ethernet option, do NOT change anything on this screen.**

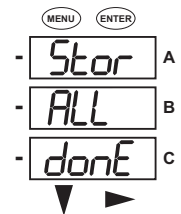
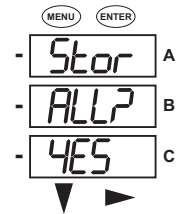


14. Press the **ENTER** button to go to the Scroll setting screen (SCrL). The current setting is shown in the second line. Press the **DOWN ARROW** to choose another setting. You can choose YES (the meter readings will scroll on the display) or no (the meter readings will not scroll on the display).



15. Press the **MENU** button twice. You will see the Store Settings screen (Stor ALL?). The default setting is YES. To save the settings you've made, press the **ENTER** button. You will see the confirmation screen (Stor ALL done) and then the meter resets.

NOTE: If you do not want to save your settings, press the **RIGHT ARROW**. YES changes to no. Press the **ENTER** button.



Example CT Settings:

- 200/5 Amps: set the Ct-n value as 200, Ct-S value as 1.
- 800/5Amps: set the Ct-n value as 800, Ct-S value as 1.
- 2000/5 Amps: set the Ct-n value as 2000, Ct-S value as 1
- 10,000/5 Amps: set the Ct-n value as 1000, Ct-S value as 10.

Example PT Settings:

- 14400/120 Volts: set the Pt-n value as 1440, Pt-d value as 120, Pt-S value as 10.
- 138000/69 Volts: set the Pt-n value as 1380, Pt-d value as 69, Pt-S value as 100.
- 345000/115 Volts: set the Pt-n value as 3450, Pt-d value as 115, Pt-S value as 100.
- 345000/69 Volts: set the Pt-n value as 345, Pt-d value as 69, Pt-S value as 1000.

Refer to the EM-3000 Series Meter Installation and Operation Manual (LIT-12011874) for important product application information. Also refer to the manual for additional wiring options and programming information. The manual is on the enclosed CD.